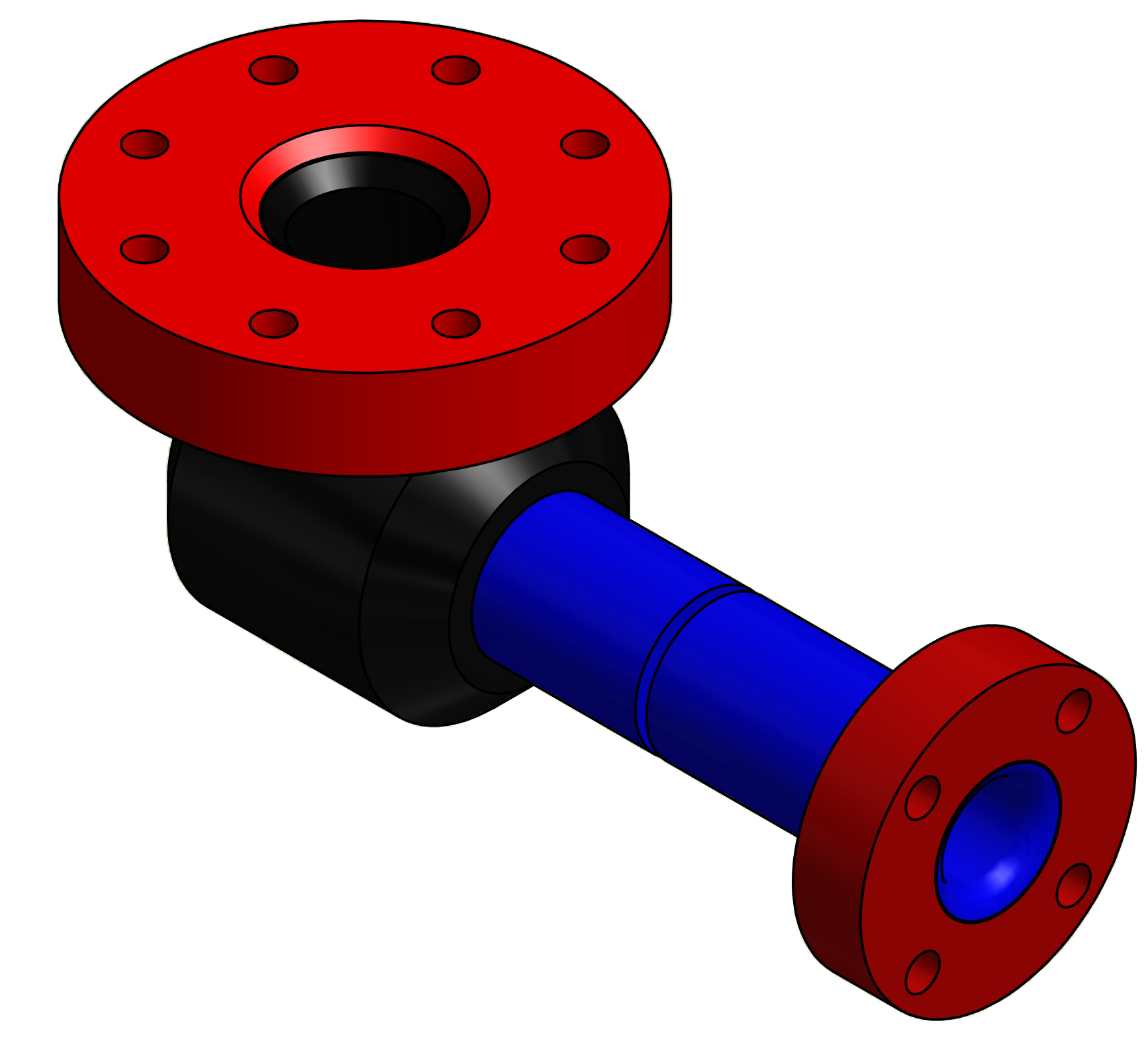
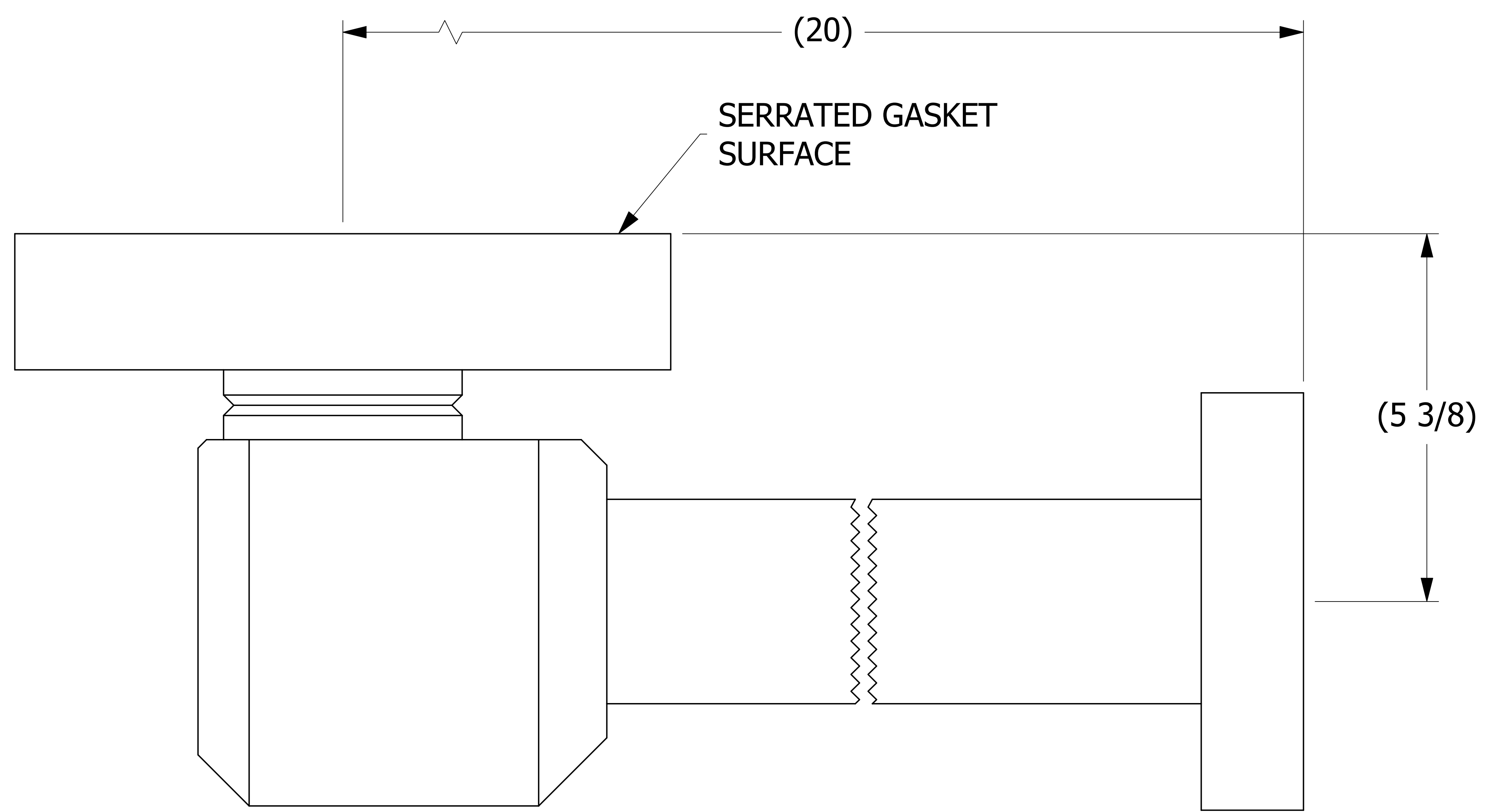
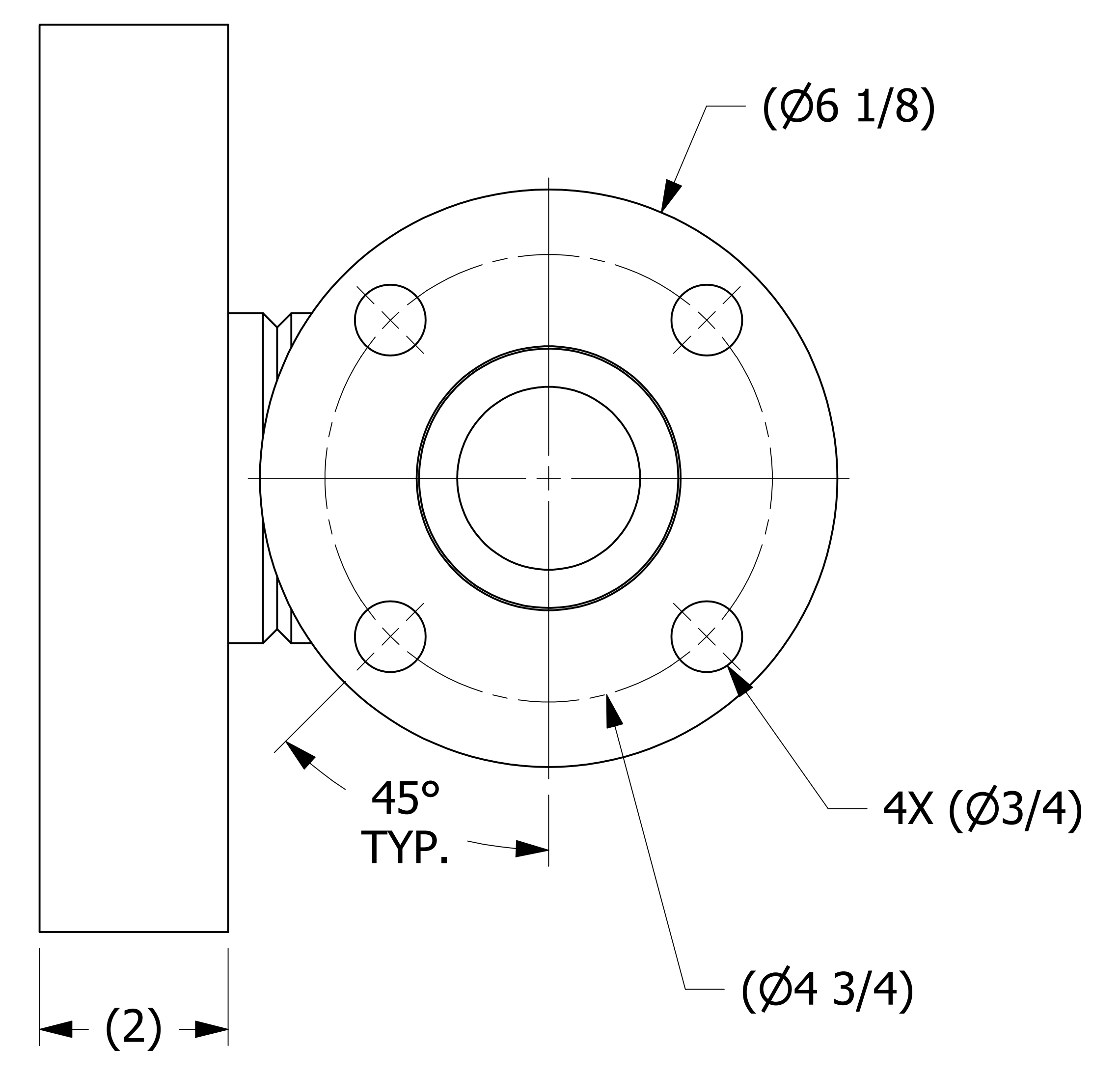
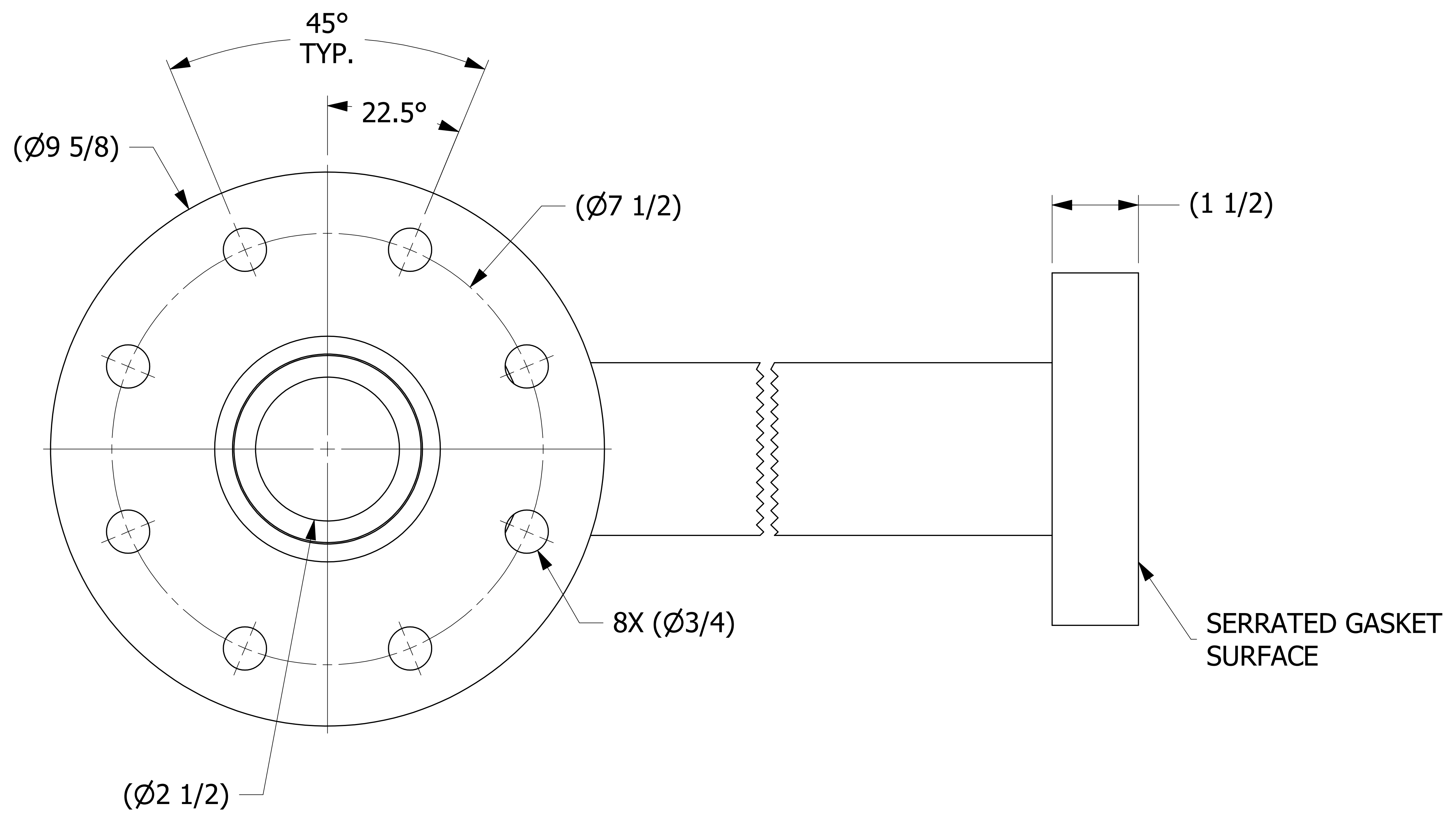


SALES DRAWING SALES DRAWING

SALES DRAWING SALES DRAWING



ISOMETRIC VIEW

<small>UNLESS OTHERWISE SPECIFIED DIMENSIONAL TOLERANCES FRACTIONAL: ±1/16 X.XX: ±.03 X.XXX: ±.015 ANGULAR: ±1° DEBURR ALL SHARP EDGES. ALL MACHINED SURFACES TO HAVE A 125 RMS FINISH UNLESS NOTED OTHERWISE.</small>	DRAWN BY:	GDS	A KHK 11-26-12 ADDED PART TO NETWORK					
	CHECKED BY:	CHL	REV	BY	DATE			
	PROTOTYPE BY:	GDS	SALCO PRODUCTS, INC.					
	PROTOTYPE DATE:	3/21/2012	PART NAME: PIPE ELBOW 4" X 2" X 90°					
APPROVED FOR PRODUCTION BY:	KHK	MATERIAL:	SALCO PE					
THIRD ANGLE PROJECTION	PRODUCTION DATE:	11/26/2012	PROJECT #:	120322	SHEET #:	1 OF 1	SCALE:	1:1
		DRAWING #:		E32770	PART #:		HS4X2X90PE3	

THIS PRINT, PROPERTY OF SALCO PRODUCTS INC. CONTAINS PROPRIETARY INFORMATION AND MUST NOT BE COPIED, REPRODUCED, OR USED DETRIMENTALLY TO OUR INTEREST.